

DRAWN BY: LH

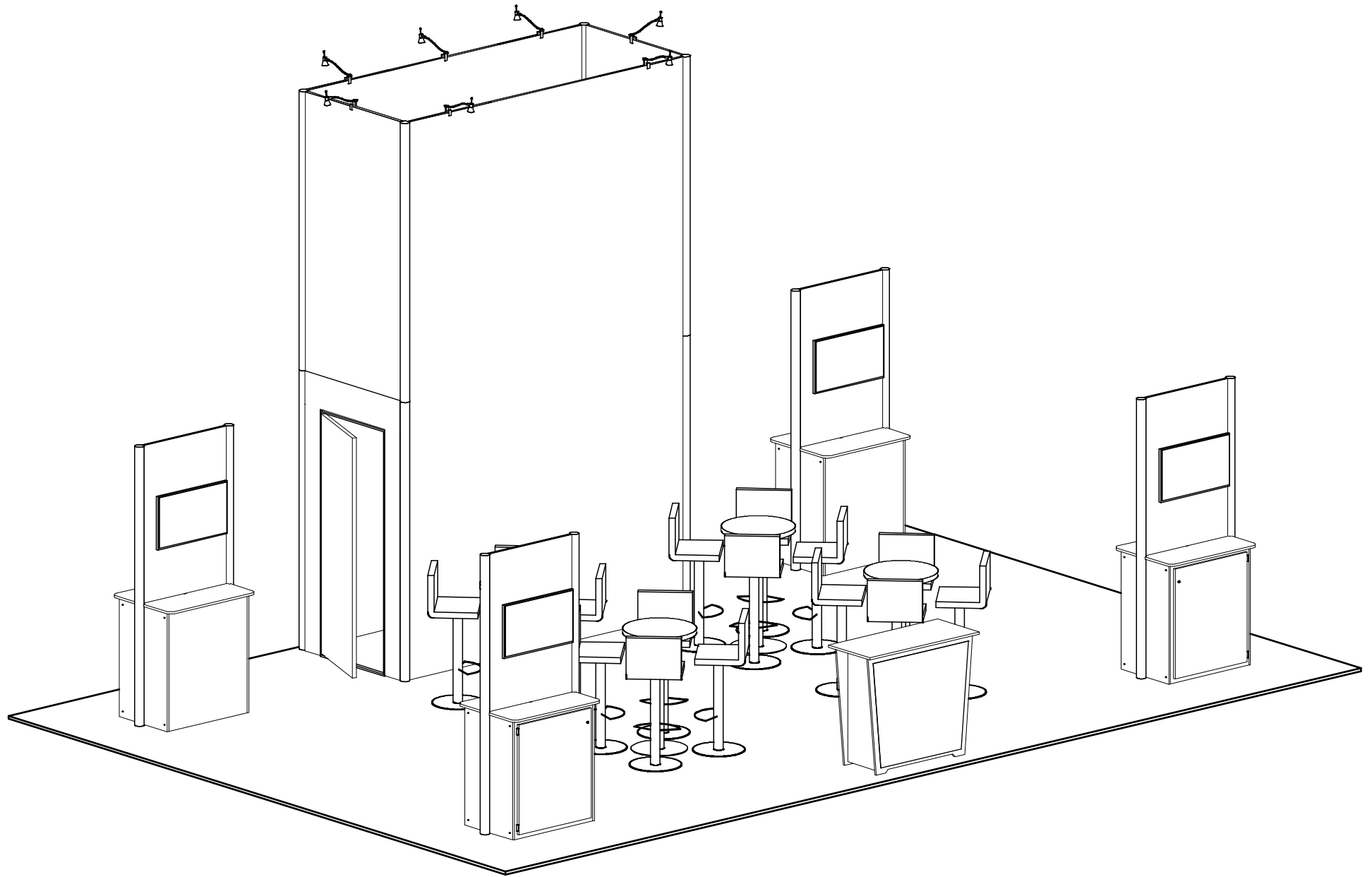
DESIGN : AMPT

DATE: 07/13/21

REFERENCE: 20X30

© 2021

The designs shown herein are protected by copyright and other laws. This document is to be maintained in confidence. No portion of the information or design shown herein may be reproduced, electronically or otherwise, nor may any display be made from this design without written consent.



DRAWN BY: LH

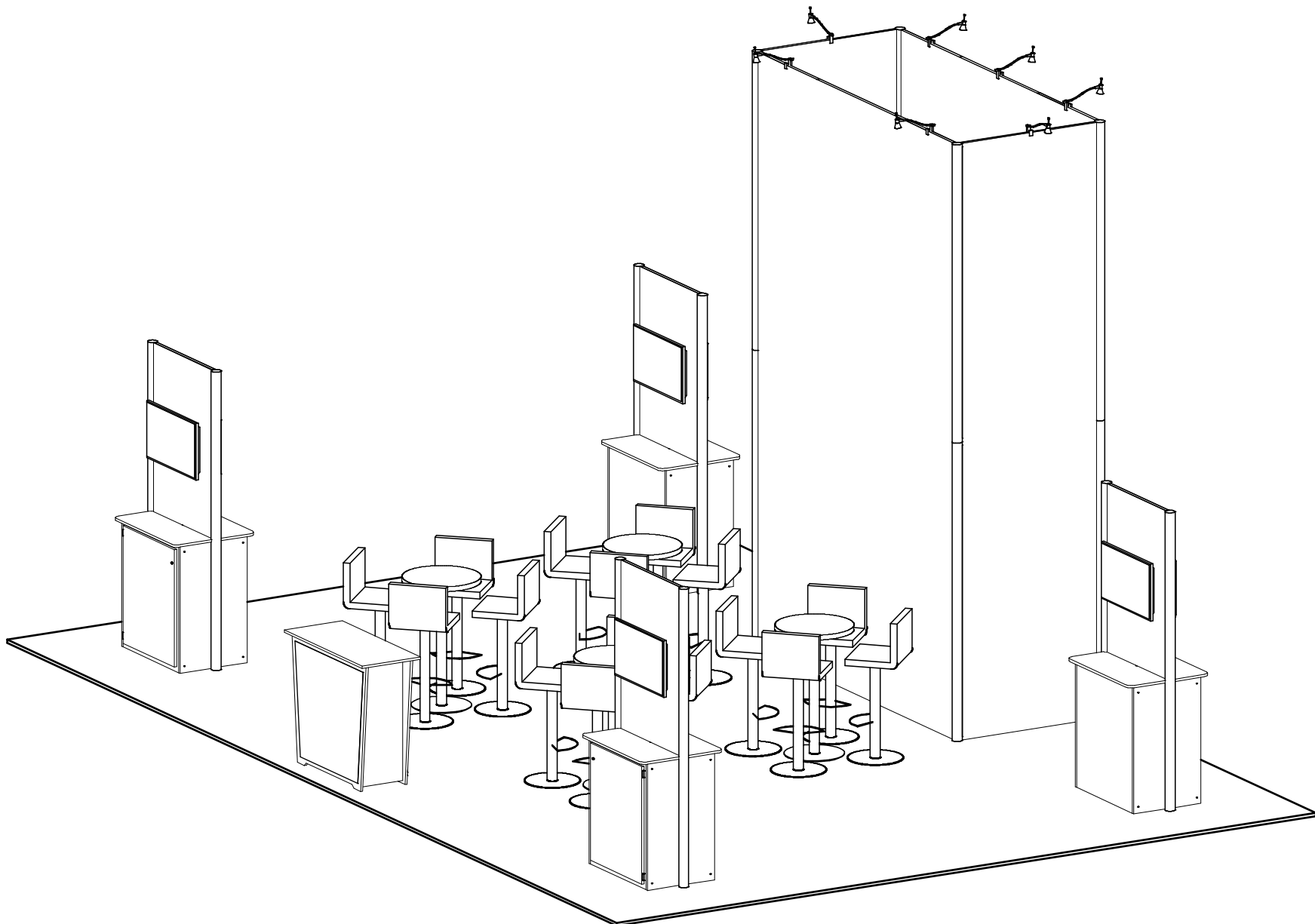
DESIGN : AMPT

DATE: 07/13/21

REFERENCE: 20X30

© 2021

The designs shown herein are protected by copyright and other laws. This document is to be maintained in confidence. No portion of the information or design shown herein may be reproduced, electronically or otherwise, nor may any display be made from this design without written consent.



DRAWN BY: LH

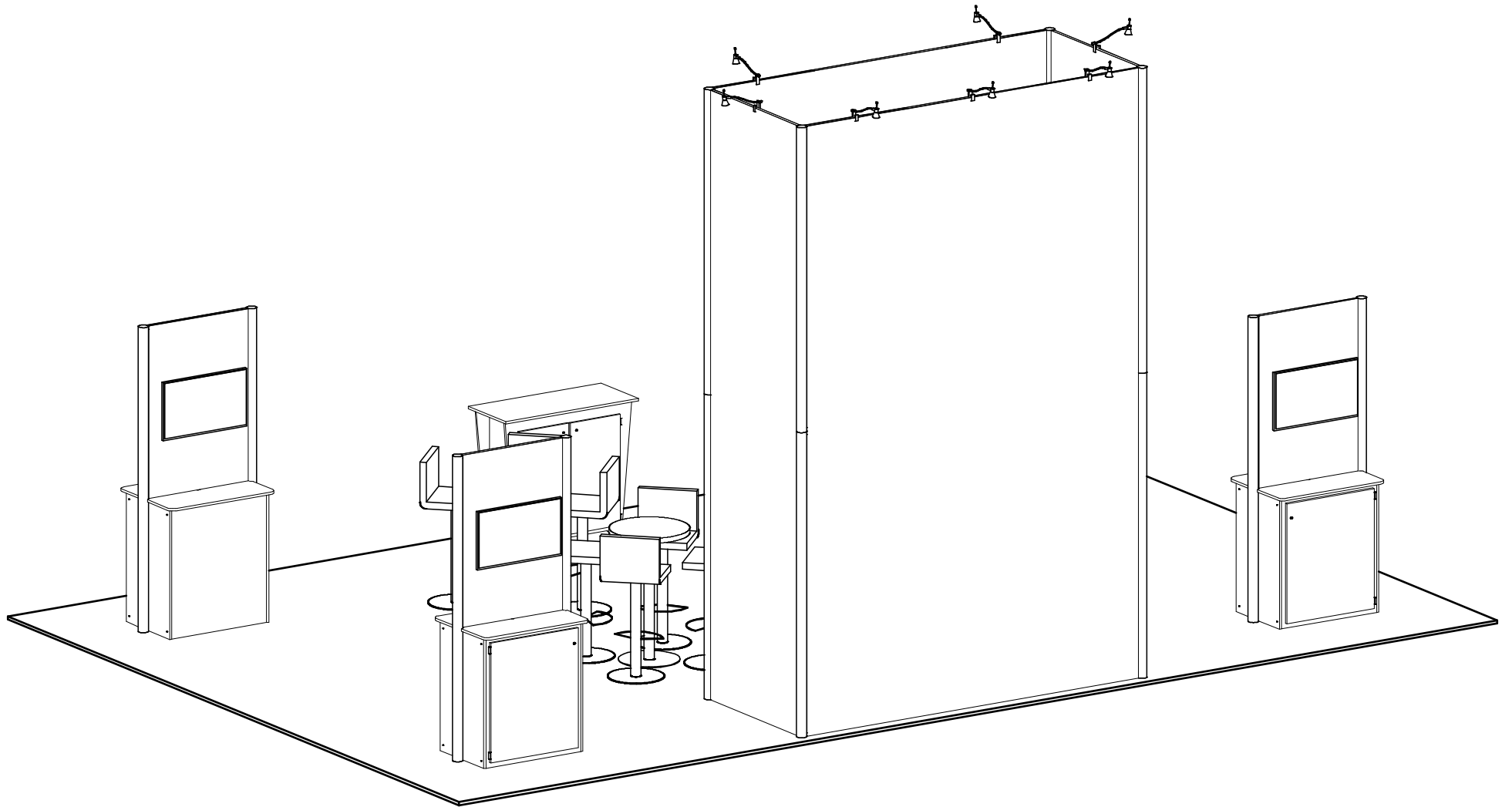
DESIGN : AMPT

DATE: 07/13/21

REFERENCE: 20X30

© 2021

The designs shown herein are protected by copyright and other laws. This document is to be maintained in confidence. No portion of the information or design shown herein may be reproduced, electronically or otherwise, nor may any display be made from this design without written consent.



DRAWN BY: LH

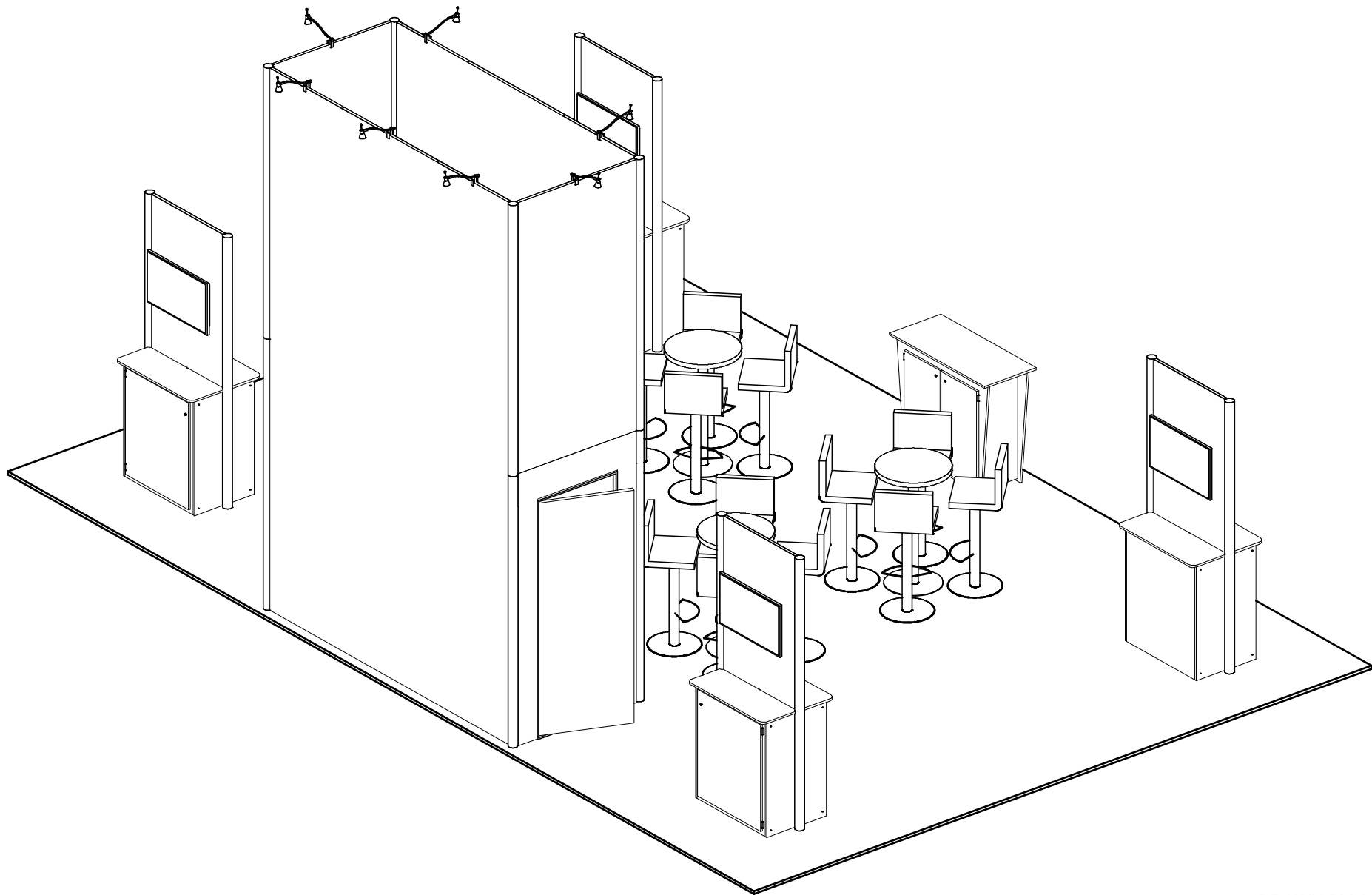
DESIGN : AMPT

DATE: 07/13/21

REFERENCE: 20X30

© 2021

The designs shown herein are protected by copyright and other laws. This document is to be maintained in confidence. No portion of the information or design shown herein may be reproduced, electronically or otherwise, nor may any display be made from this design without written consent.



DRAWN BY: LH

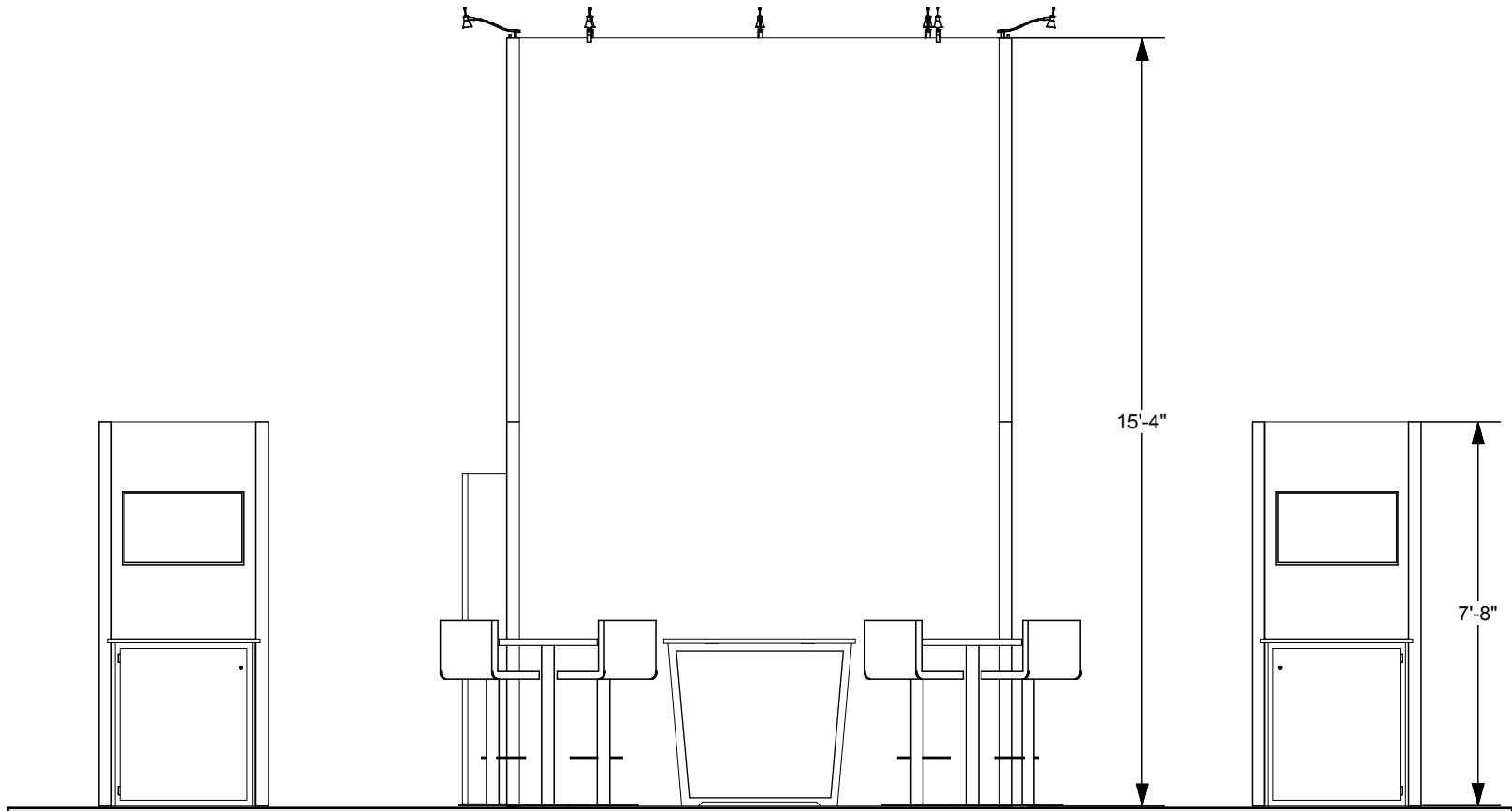
DESIGN : AMPT

DATE: 07/13/21

REFERENCE: 20X30

© 2021

The designs shown herein are protected by copyright and other laws. This document is to be maintained in confidence. No portion of the information or design shown herein may be reproduced, electronically or otherwise, nor may any display be made from this design without written consent.



DRAWN BY: LH

DESIGN : AMPT

DATE: 07/13/21

REFERENCE: 20X30

© 2021

The designs shown herein are protected by copyright and other laws. This document is to be maintained in confidence. No portion of the information or design shown herein may be reproduced, electronically or otherwise, nor may any display be made from this design without written consent.