

9'3" x 9'3" deck with HP graphics • Total height 13'10"

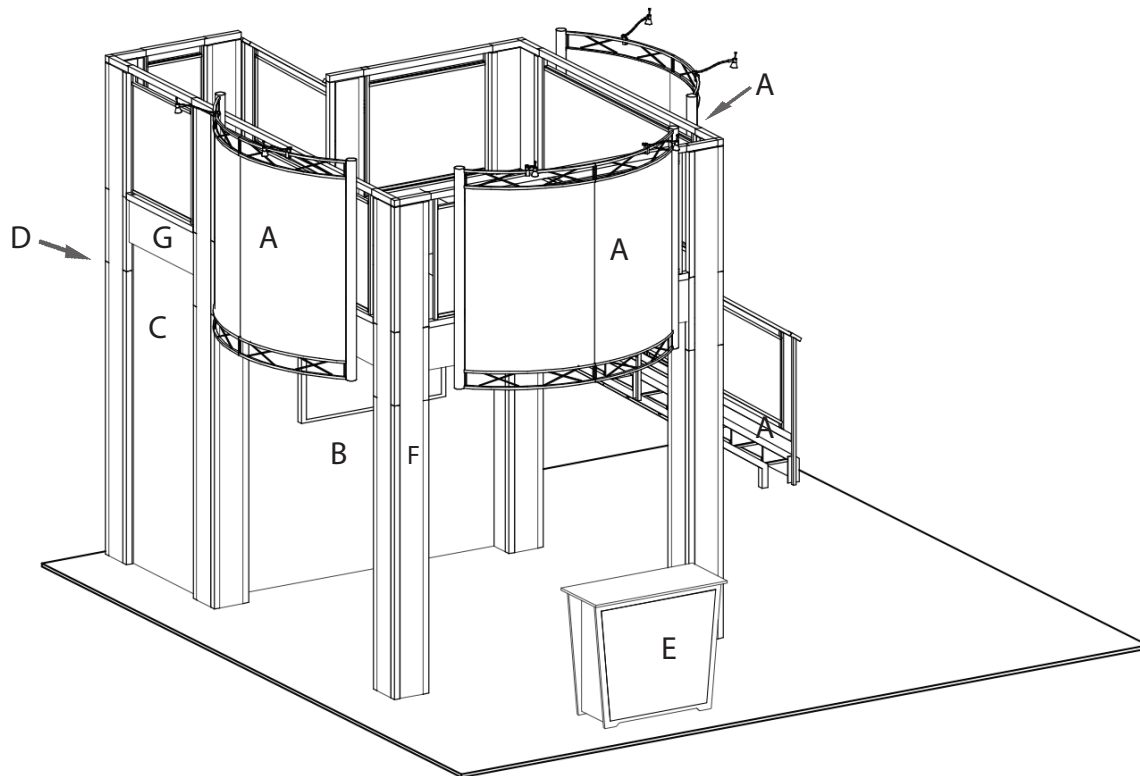
9 x 9 double deck rental exhibit to include:

- (1) 9'3" x 9'3" second level with landing and straight staircase
- (1) 92" wide backwall with storage closet under landing
- (1) "EV2" locking standalone counter, 46"w x 20"d black laminate top
- (1) gray sintra ceiling with 8 track lights
- (3) rail mount Hyperlite sign frames with 6 clamp on lights
- (1) 1/4" thick frosted plex rail infills

CHOICE of black, white, or gray sintra provided standard for all solid infill walls that do not have graphics, unless described otherwise

*White laminate standard for EV2 wall counter sides and standalone counter front and sides

Consult your account rep for options. Additional elements, merchandising and graphics are available



GRAPHIC SPECS

- A. - (3) 80" w x 59" h fabric graphic required
- B. - (1) 91.75" w x 99" h Sintra Graphic (Back Wall)
- C. - (1) 38.5" w x 99" h Sintra Graphic (End Wall)
- D. - (1) 22.5" w x 99" h Sintra Graphic (back panel of closet)
- E. - (1) 40" w x 35" h Counter Graphic
- F. - (36 pieces total) 7-7/8" wide x various height column infill (4 sides per column plus upstairs inside) 1 example piece notated
- G. - (6 pieces total) various widths x 14" high beam covers) 1 example piece notated

PRICING DOES NOT INCLUDE chairs, benches, tables, computers, monitors/cables, and carpet. Additional elements, merchandising and graphics are available through your account representative.

Please follow our graphic file submission guidelines for all printed elements to avoid resubmission requests and delay. Allow at least 10 business days for graphic production.