

**PRINT GRAPHIC SPECS OF IM79 2020:**

(A1) (A2) - 115"w x 184"h  
\*46"w x 120.75"h area  
will be obscured for A1

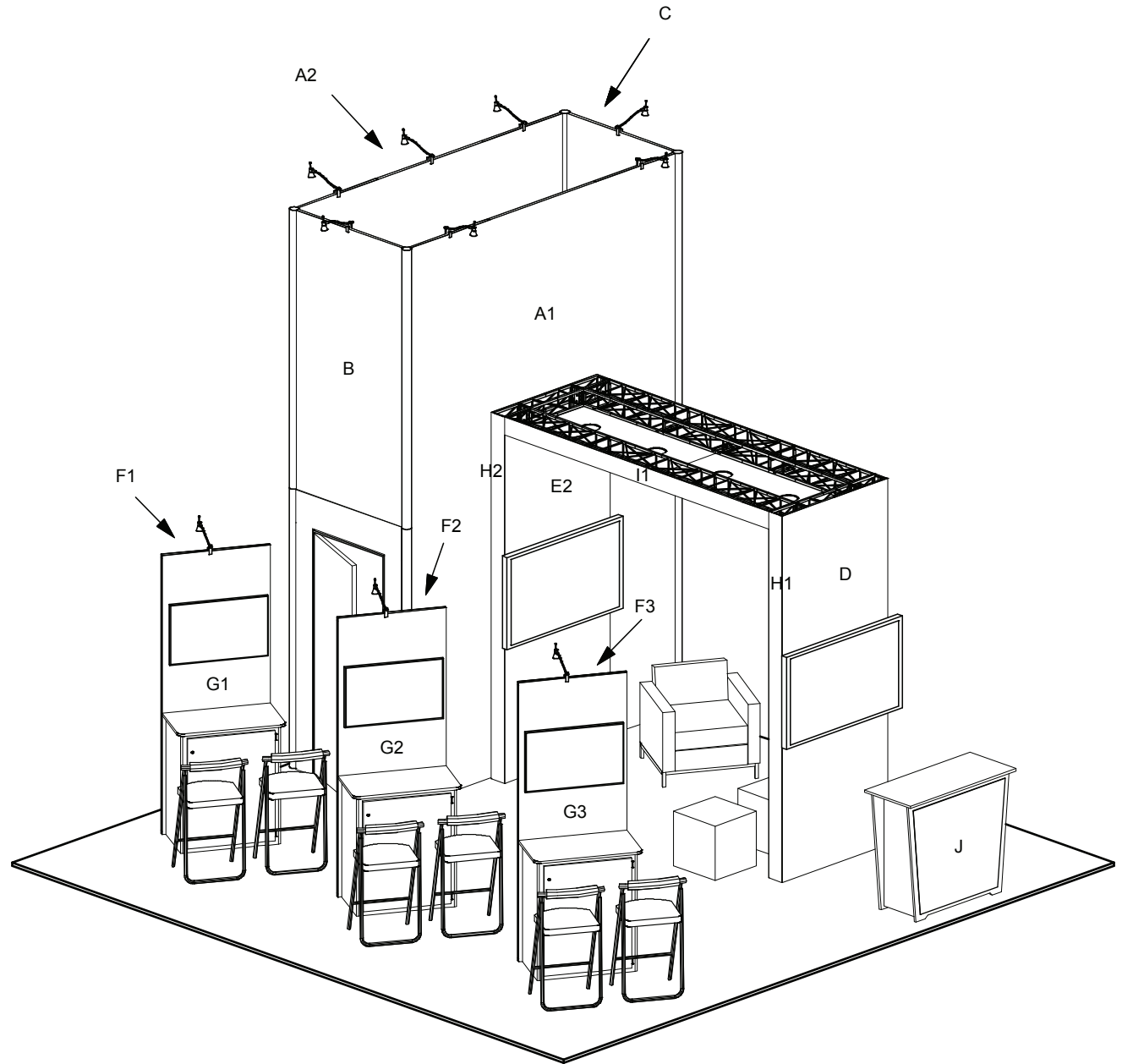
(B) - 46"w x 92"h  
(C) - 46"w x 184"h  
(D) - 46.125"w x 120.75"h  
(E1) (E2) - 46.125"w x 114.875"h  
(F1) (F2) (F3) - 34.5"w x 92"h  
(G1) (G2) (G3) - 34.5"w x 92"h  
\*Bottom 40"h is obscured

**SIDE COVERS:**

(H1) (H2) (H3) (H4) - 6.125"w x 120.75"h  
(I1) (I2) - 120.375"w x 5.875"h

**COUNTER GRAPHIC:**

(J) - 40"w x 35"h  
\*See Template



DRAWN BY: LH

**REFERENCE: 20X20**

The designs shown herein are the proprietary property of Trussworks and protected by copyright and other laws. This document is to be maintained in confidence. No portion of the information or design shown herein may be reproduced, electronically or otherwise, nor may any display be made from this design without written consent from Trussworks.